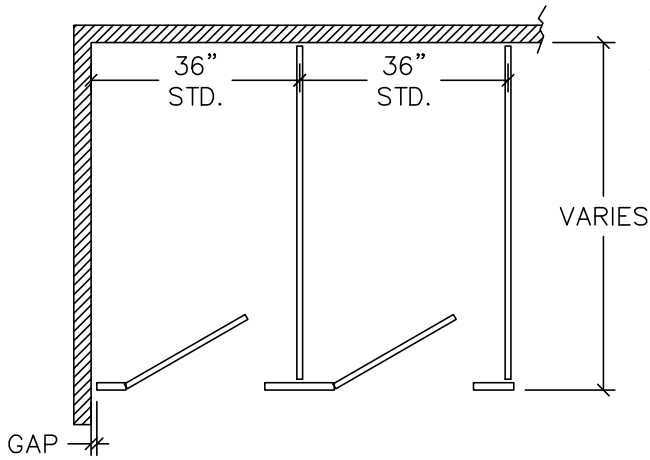
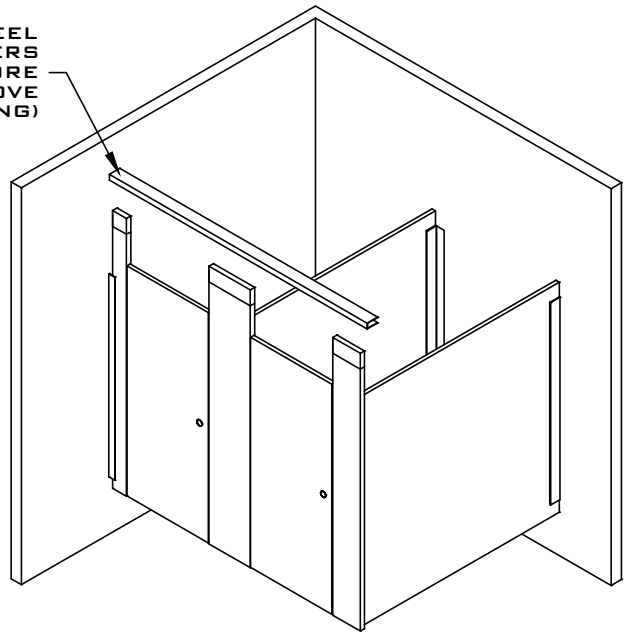


POWDER COATED STEEL  
CEILING HUNG  
2.10A

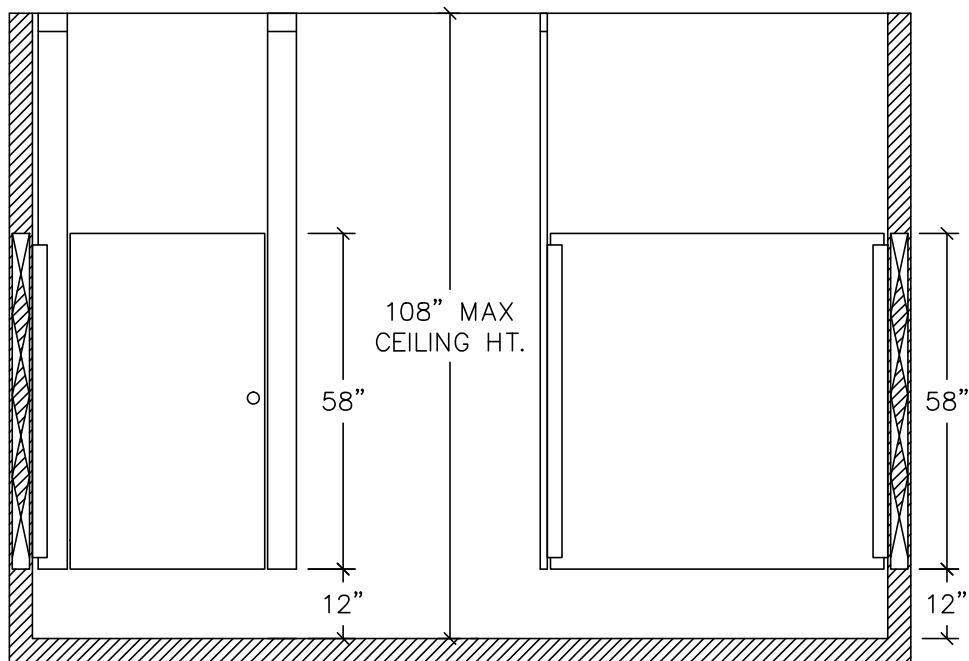


IC - 2  
STANDARD  
CONFIGURATION

STRUCTURAL STEEL  
BY OTHERS  
(LOCATED NO MORE  
THAN 2 1/2" ABOVE  
FINISHED CEILING)



FINISHED CEILING



FRONT & SIDE ELEVATION

 BLOCKING IN WALL BY OTHERS

REV 12/13