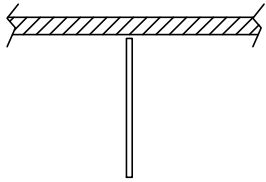
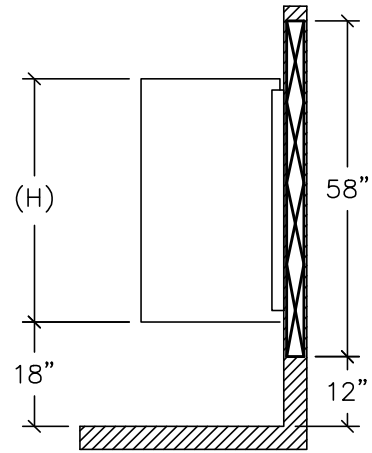
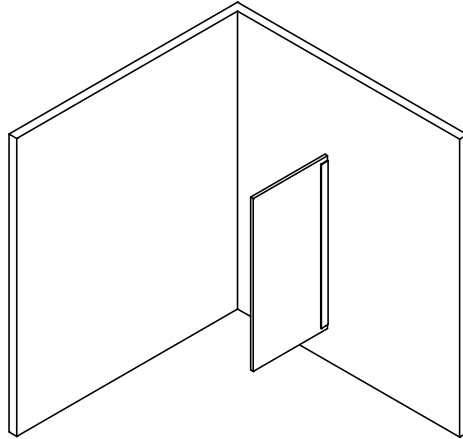


**SOLID PLASTIC
URINAL AND SIGHT SCREENS
4.15**

WALL HUNG URINAL SCREENS



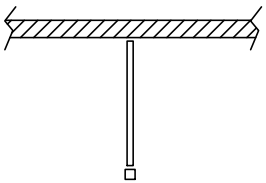
**WALL HUNG
SCREEN**



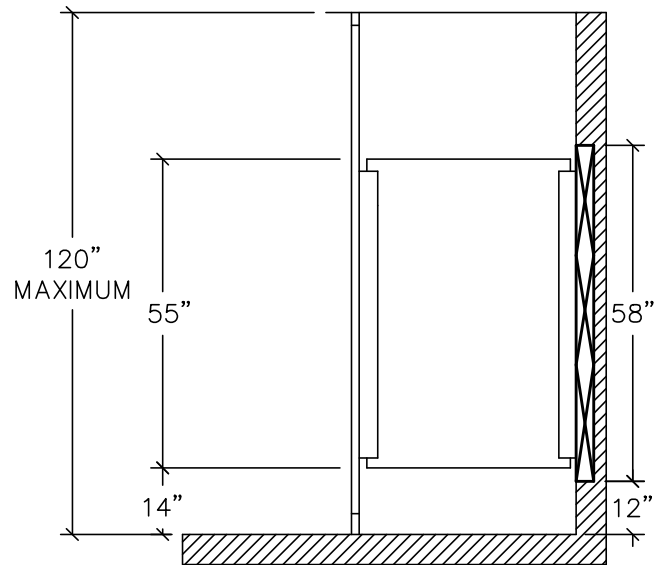
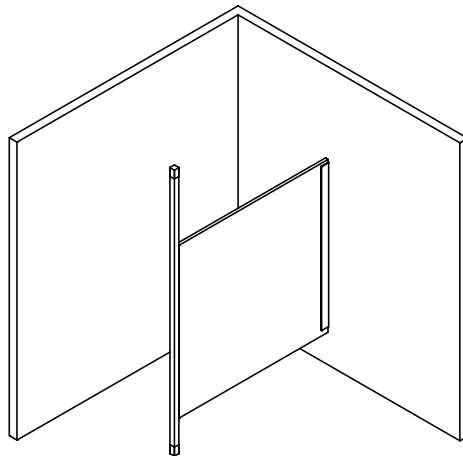
SIDE ELEVATION

**AVAILABLE IN 4 STANDARD WIDTHS, 12", 18", 24", OR 30"
& IN 2 STANDARD HEIGHTS (H), 42", & 48"
AVAILABLE WITH STAINLESS STEEL OR ALUMINUM STIRRUP BRACKETS, &
CONTINUOUS ALUMINUM OR STAINLESS STEEL BRACKETS**

**FLOOR-TO-CEILING SCREENS
WITH 1 3/4" X 1 3/4" ALUMINUM POST**



**1 3/4" X 1 3/4"
POST**



SIDE ELEVATION

**SITE SCREEN ABOVE IS 55" HIGH BY DEPTH REQUIRED
AVAILABLE WITH STAINLESS STEEL OR ALUMINUM STIRRUP BRACKETS, &
CONTINUOUS ALUMINUM OR STAINLESS STEEL BRACKETS**

 **BLOCKING IN WALL BY OTHERS**

REV 12/13