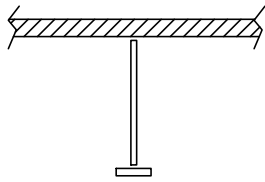
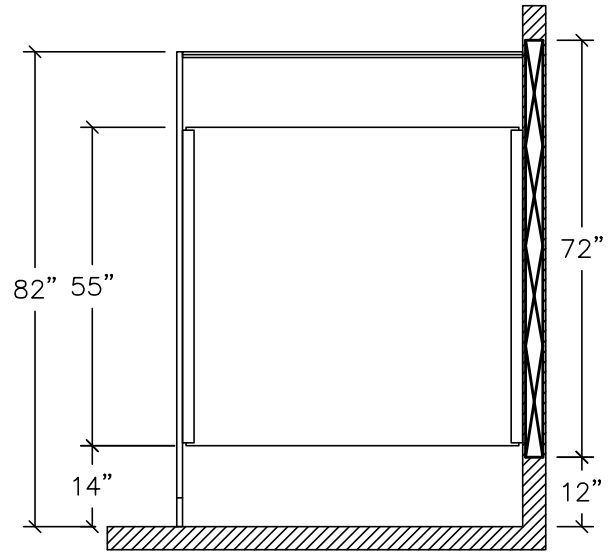
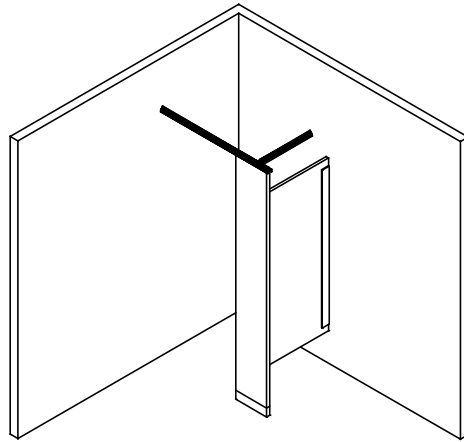


SOLID PLASTIC  
URINAL AND SIGHT SCREENS  
4.16

FLOOR ANCHORED / OVERHEAD BRACED  
SCREEN

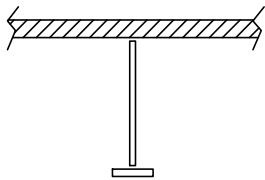


MINIMUM 6"  
PILASTER

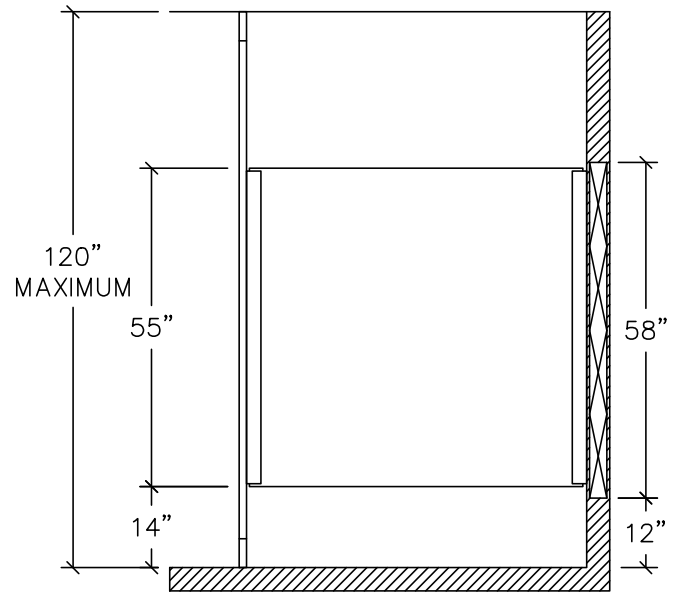
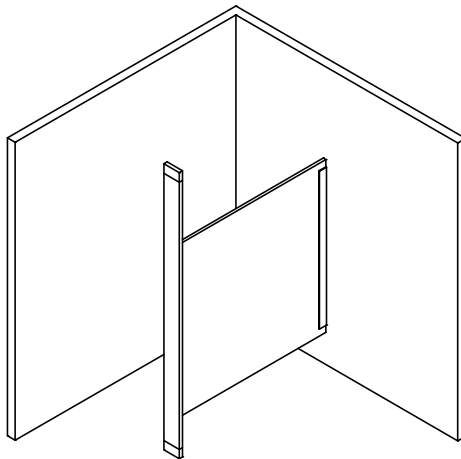


SIDE ELEVATION

FLOOR-TO-CEILING SITE SCREEN  
WITH SOLID PLASTIC PILASTER



MINIMUM 7"  
FLOOR TO CEILING  
PILASTER



SIDE ELEVATION

SITE SCREENS ABOVE ARE 55" HIGH BY DEPTH REQUIRED  
AVAILABLE WITH STAINLESS STEEL, ALUMINUM STIRRUP BRACKETS, &  
CONTINUOUS ALUMINUM OR STAINLESS STEEL BRACKETS

 BLOCKING IN WALL BY OTHERS

REV 12/13