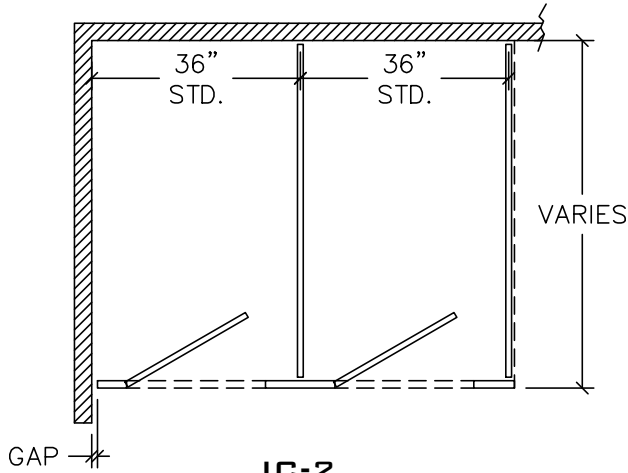
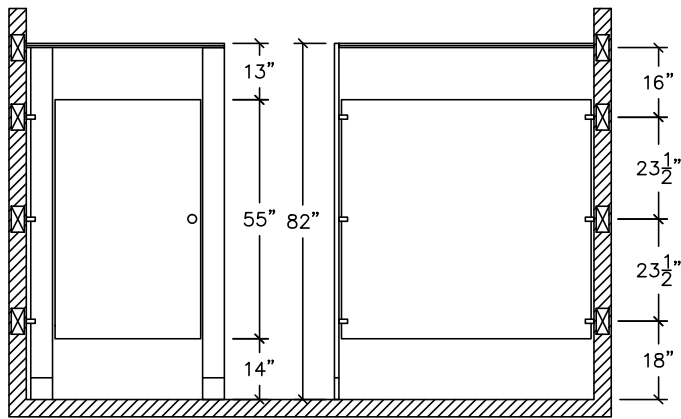
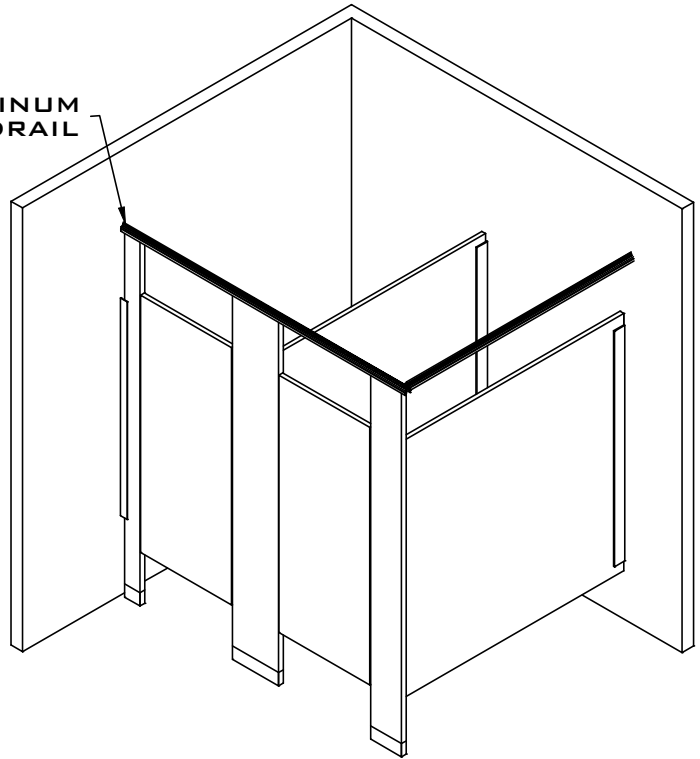


**SOLID PLASTIC
FLOOR ANCHORED /
OVERHEAD BRACED
4.4**

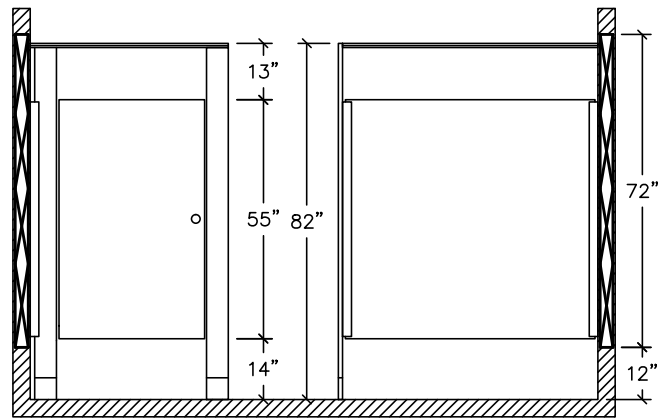


**IC-2
STANDARD
CONFIGURATION**

ALUMINUM
HEADRAIL



**FRONT & SIDE ELEVATION
STIRRUP
BRACKETS**



**FRONT & SIDE ELEVATION
CONTINUOUS
BRACKETS**

 **BLOCKING IN WALL BY OTHERS**

REV 12/13