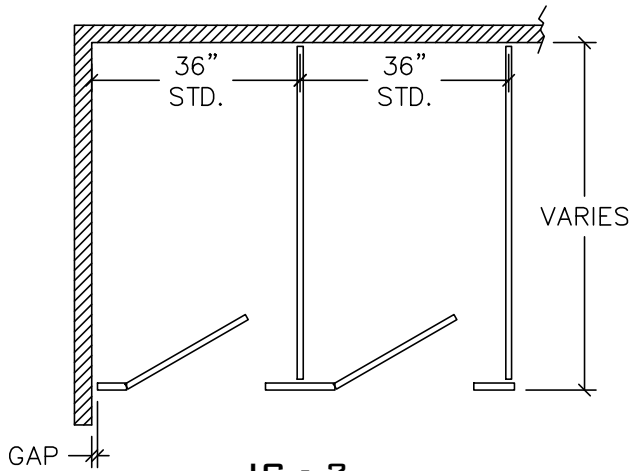
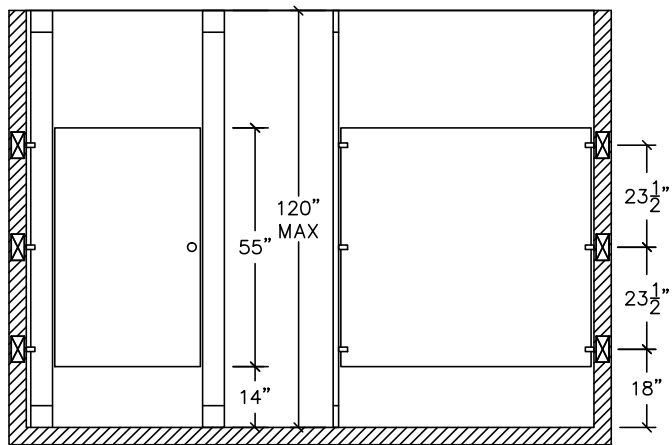
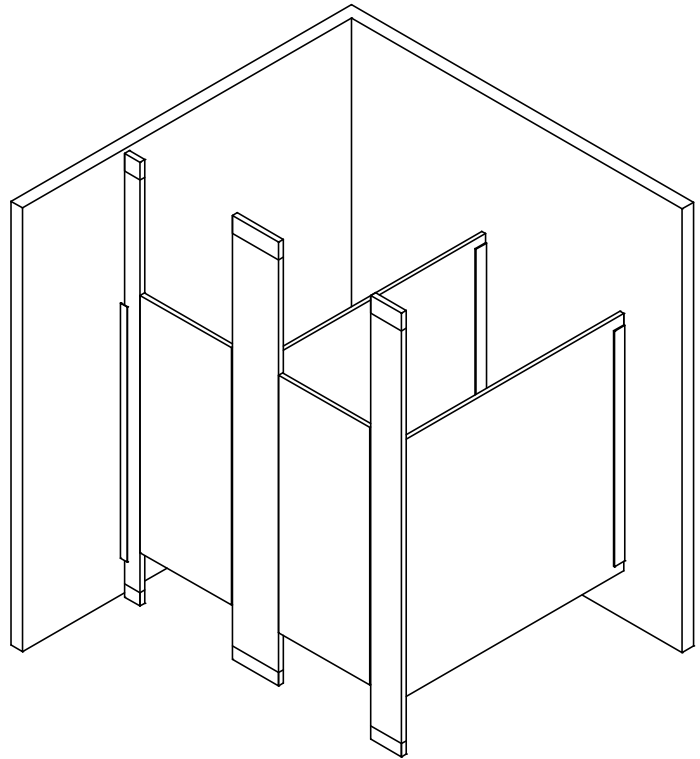


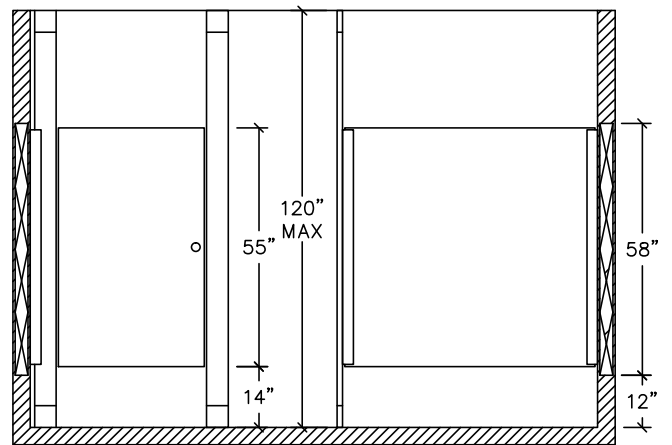
**SOLID PLASTIC  
FLOOR-TO-CEILING ANCHORED  
4.7**



**IC - 2  
STANDARD  
CONFIGURATION**



**FRONT & SIDE ELEVATION  
STIRRUP  
BRACKETS**



**FRONT & SIDE ELEVATION  
CONTINUOUS  
BRACKETS**

 **BLOCKING IN WALL BY OTHERS**

REV 12/13