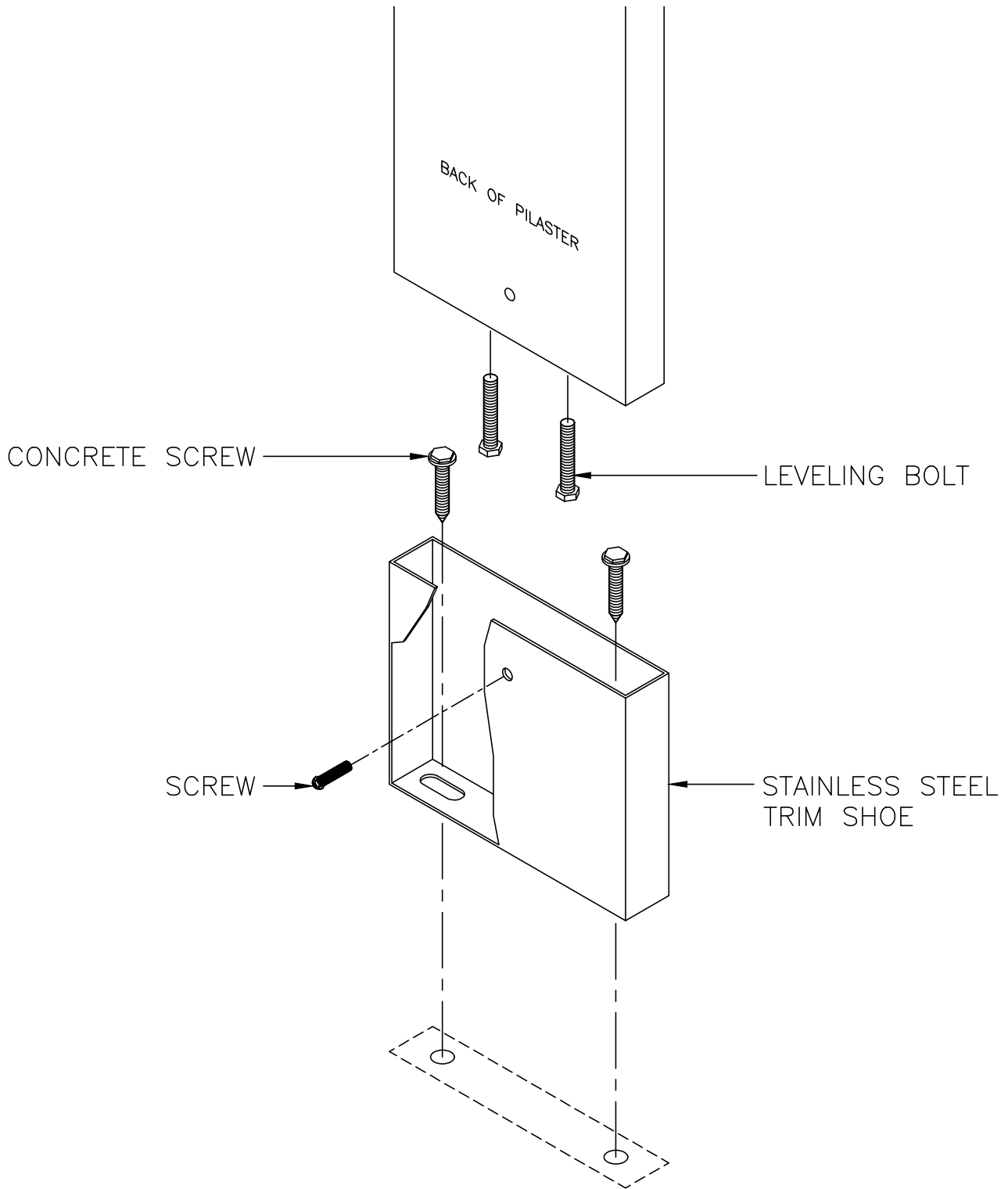


DETAILS

**PLASTIC LAMINATE
floor anchored/overhead-braced
pilaster mounting detail
5.5 EZ**



**304 STAINLESS STEEL
TRIM SHOE WITH #4 SATIN FINISH**

REV 12/13