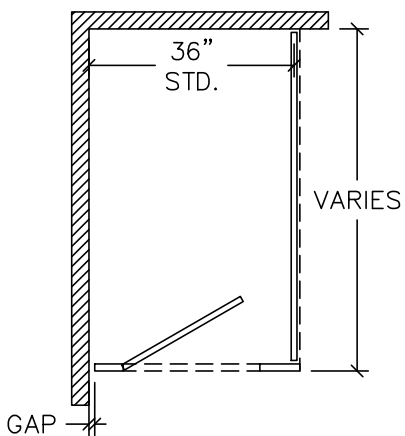
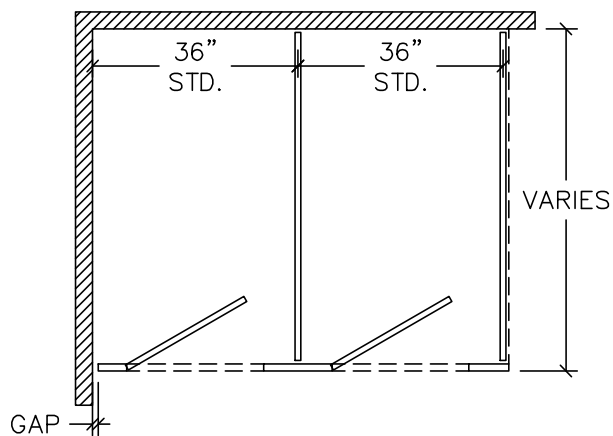


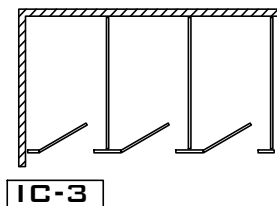
PLASTIC LAMINATE
TYPICAL IN-CORNER
LAYOUTS
5.0



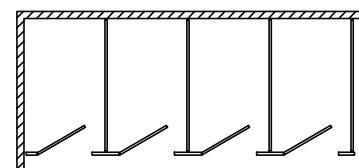
IC - 1
STANDARD
CONFIGURATION



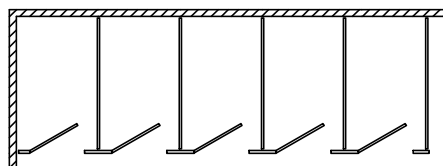
IC - 2
STANDARD
CONFIGURATION



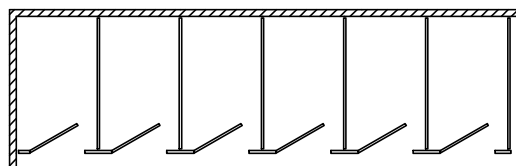
IC-3



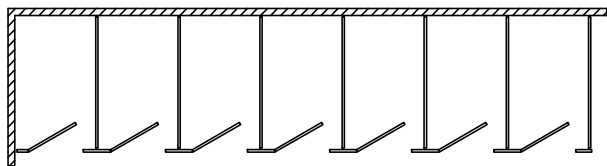
IC-4



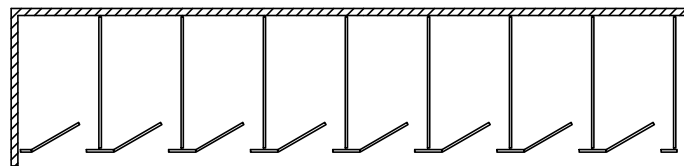
IC-5



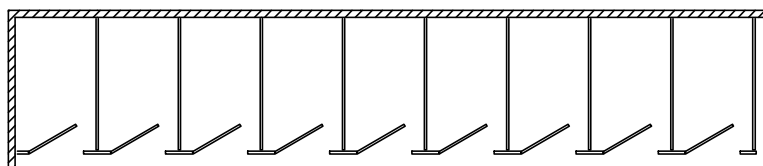
IC-6



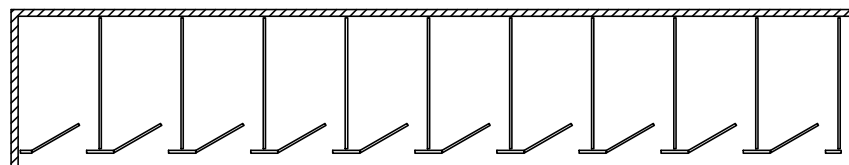
IC-7



IC-8



IC-9



IC-10

REV 12/13