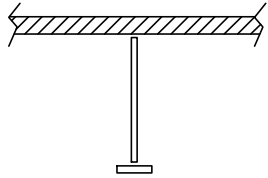


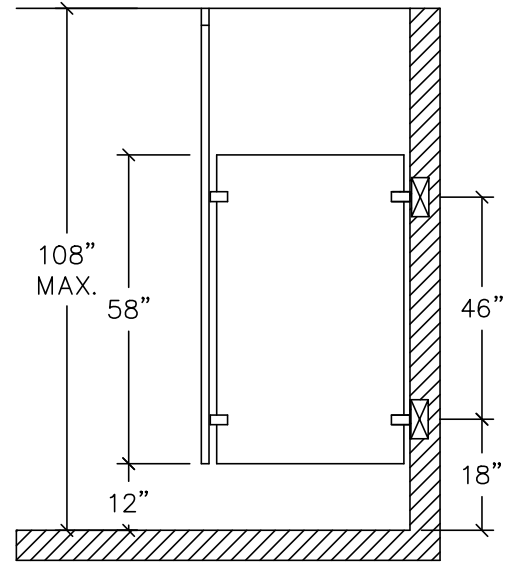
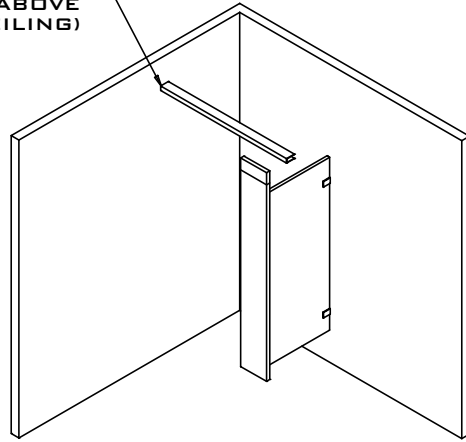
**PLASTIC LAMINATE  
URINAL AND SIGHT SCREENS  
5.19**

**CEILING HUNG SCREENS**

STRUCTURAL STEEL  
BY OTHERS  
(LOCATED NO MORE  
THAN 2 1/2" ABOVE  
FINISHED CEILING)

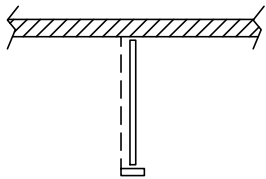


**MINIMUM 6"  
CEILING HUNG  
PILASTER**

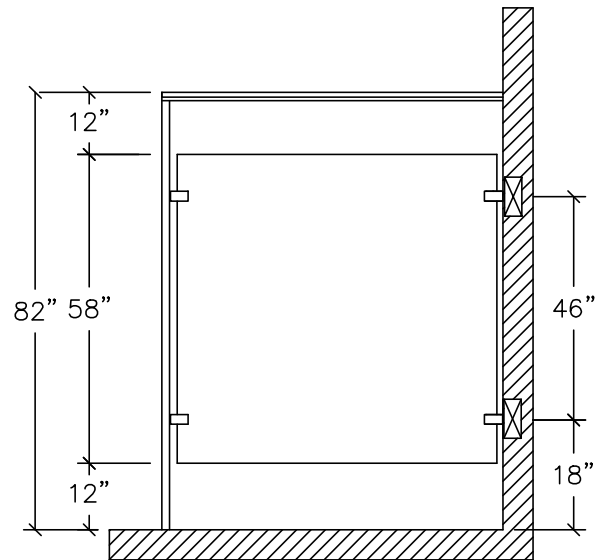
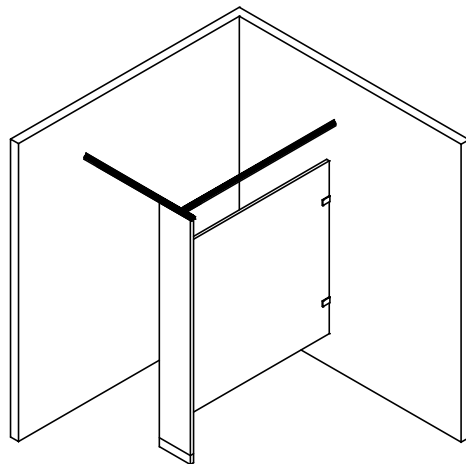


**SIDE ELEVATION**

**FLOOR ANCHORED / OVERHEAD BRACED  
SCREEN**



**MINIMUM 4"  
PILASTER**



**SIDE ELEVATION**

**CEILING HUNG AND FLOOR ANCHORED / OVERHEAD BRACED SCREENS  
ARE AVAILABLE WITH CHROME PLATED ZAMAC STIRRUP BRACKETS,  
CONTINUOUS ALUMINUM OR STAINLESS STEEL BRACKETS**

 **BLOCKING IN WALL BY OTHERS**

REV 12/13