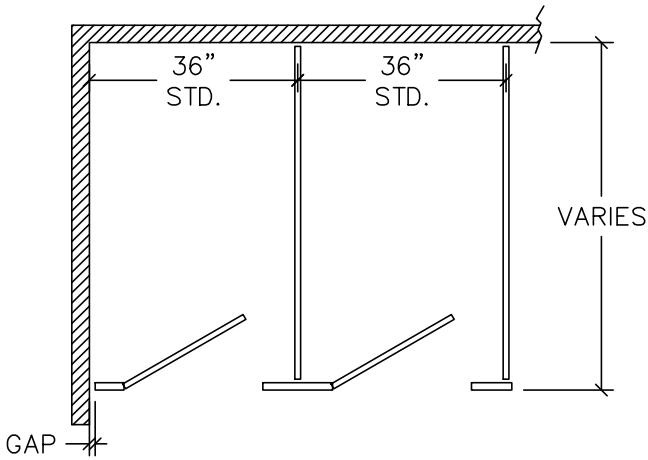
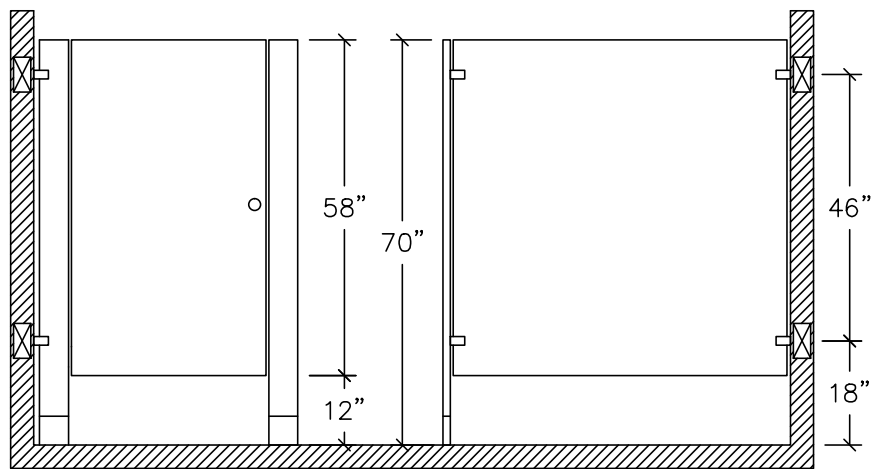
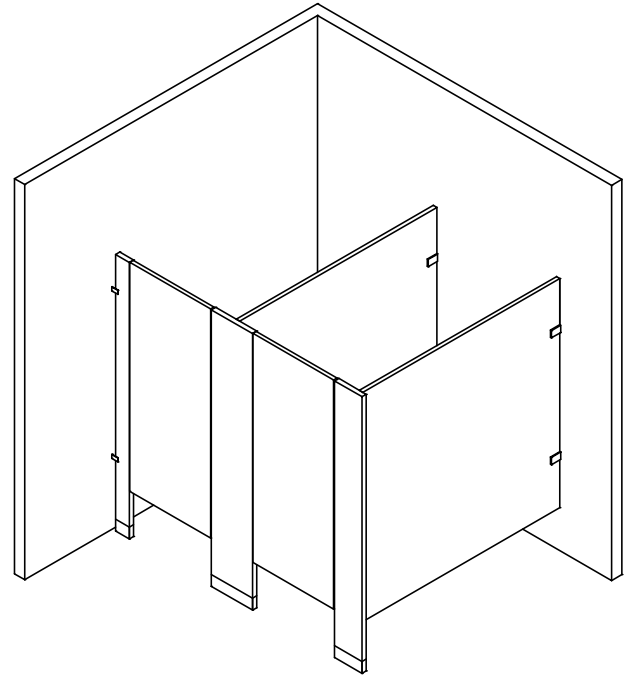


PLASTIC LAMINATE  
FLOOR ANCHORED  
5.7



IC - 2  
STANDARD  
CONFIGURATION



FRONT & SIDE ELEVATION

 BLOCKING IN WALL BY OTHERS

REV 12/13