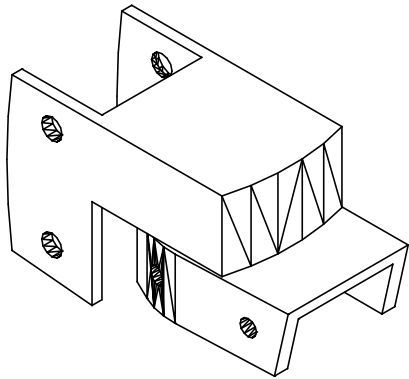
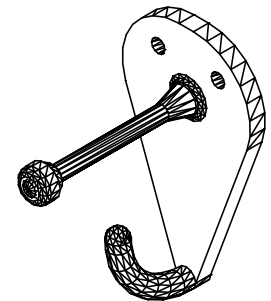
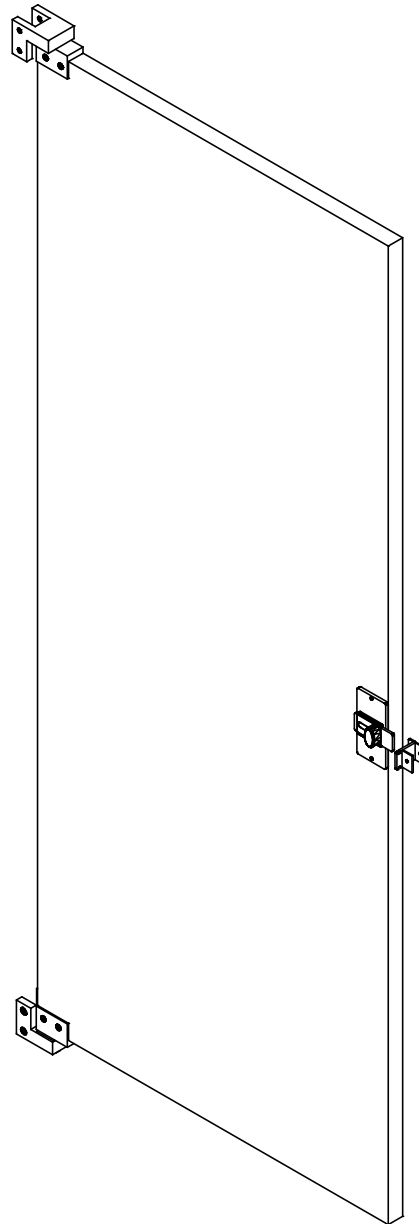


DETAILS

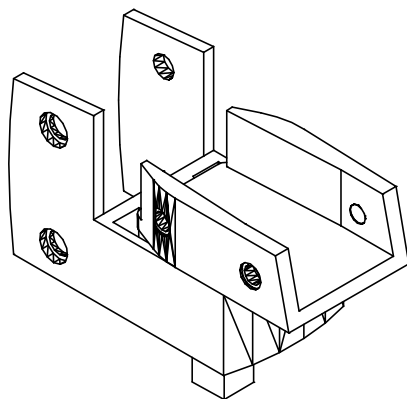
**PHENOLIC
COMPARTMENT DOOR DETAIL
6.16**



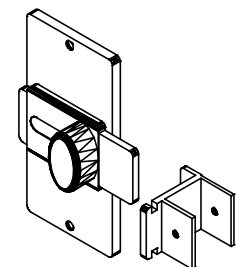
TOP HINGE



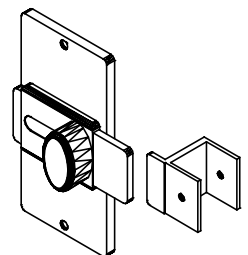
**COMBINATION
COAT HOOK / DOOR
STOP**



BOTTOM HINGE



**SLIDE LATCH
WITH LOCK
(INSWING)**



**SLIDE LATCH
WITH LOCK
(OUTSWING)**

REV 5/13