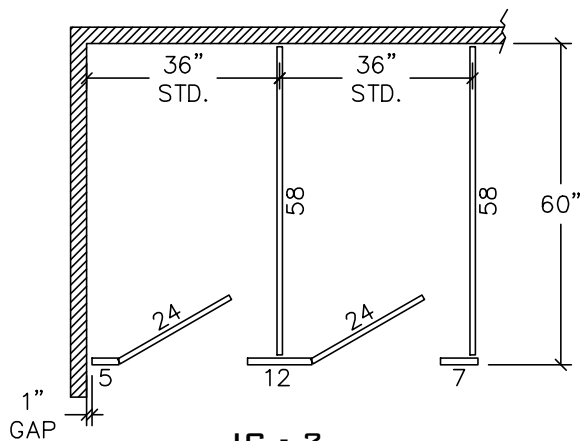


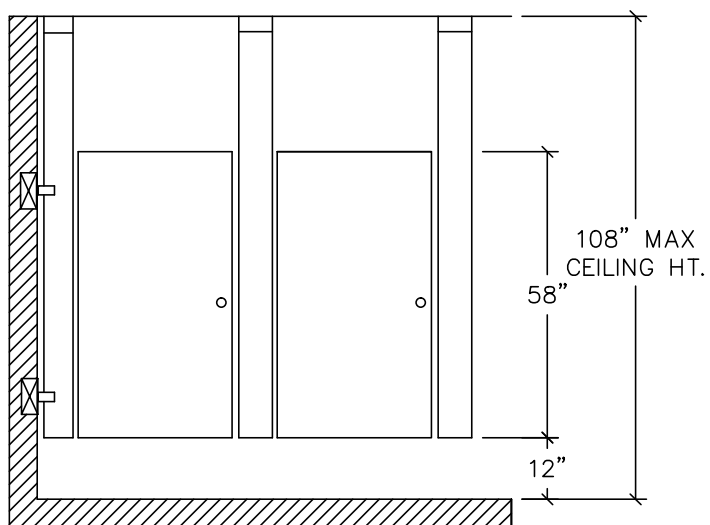
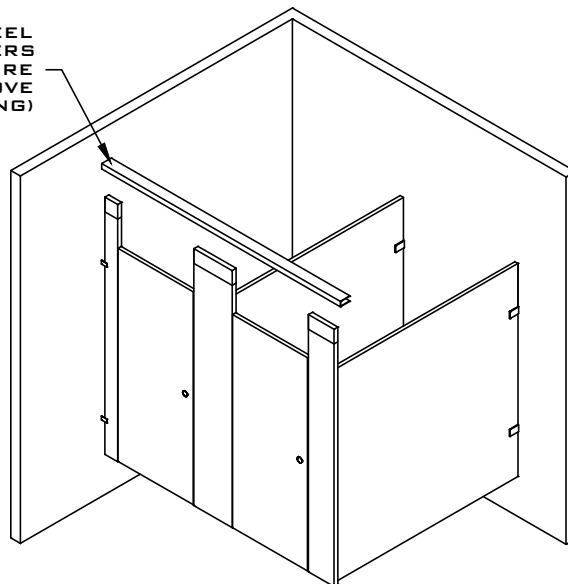
DETAILS

**PHENOLIC
CEILING HUNG
6.10**

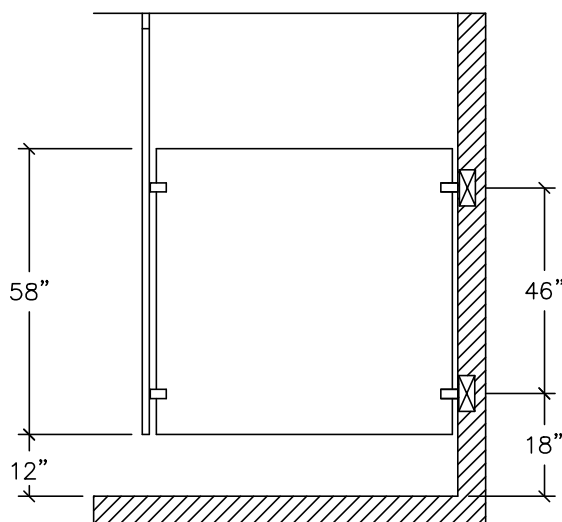


**IC - 2
STANDARD
CONFIGURATION**

STRUCTURAL STEEL
BY OTHERS
(LOCATED NO MORE
THAN 2 1/2\"/>



FRONT ELEVATION



SIDE ELEVATION

BLOCKING IN WALL BY OTHERS

REV 5/13