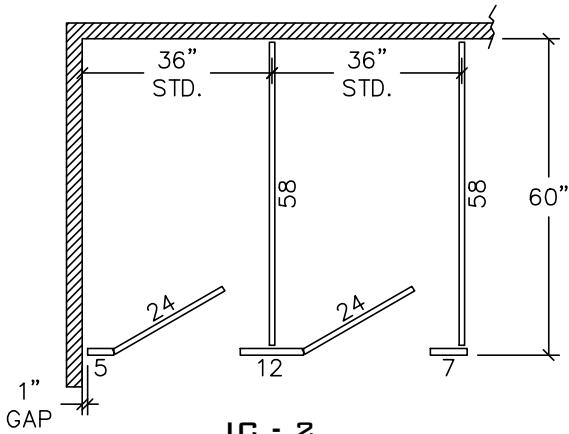


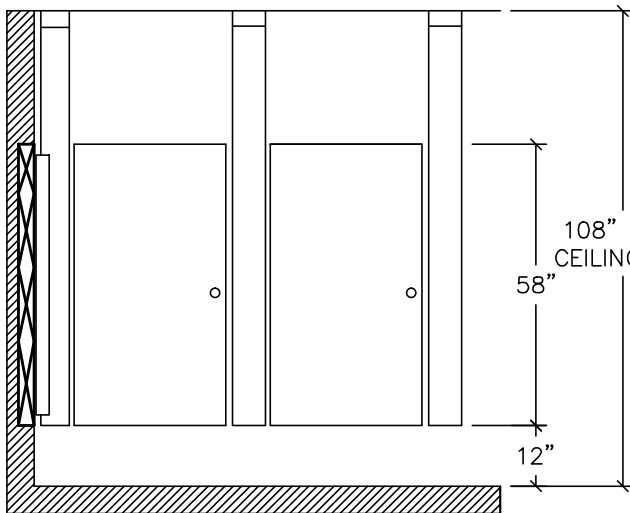
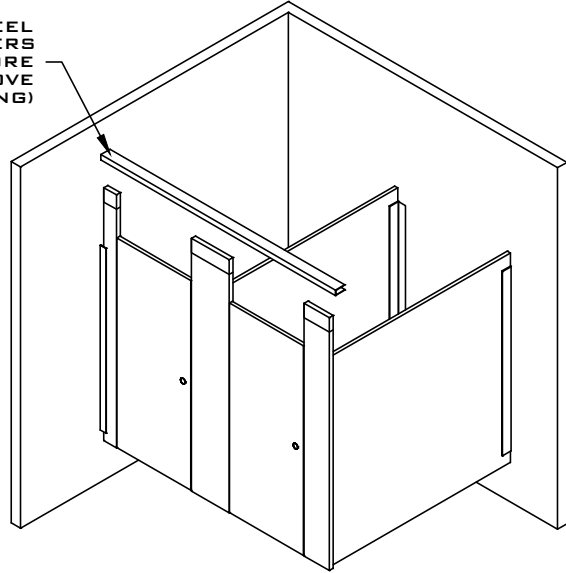
**DETAILS**

**PHENOLIC  
CEILING HUNG  
6.10A**

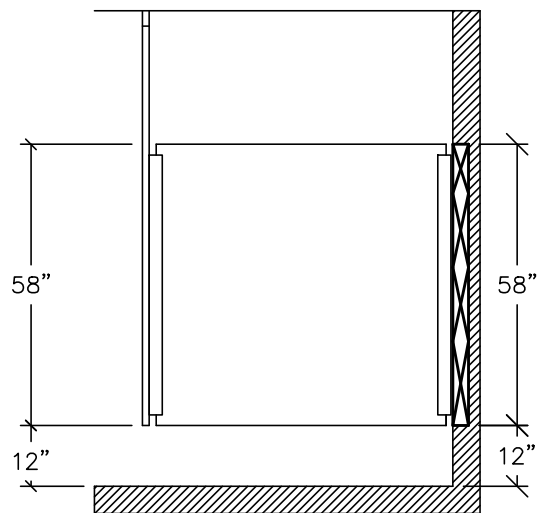


**IC - 2  
STANDARD  
CONFIGURATION**

STRUCTURAL STEEL  
BY OTHERS  
(LOCATED NO MORE  
THAN 2 1/2\"/>



**FRONT ELEVATION**



**SIDE ELEVATION**

 **BLOCKING IN WALL BY OTHERS**

REV 5/13