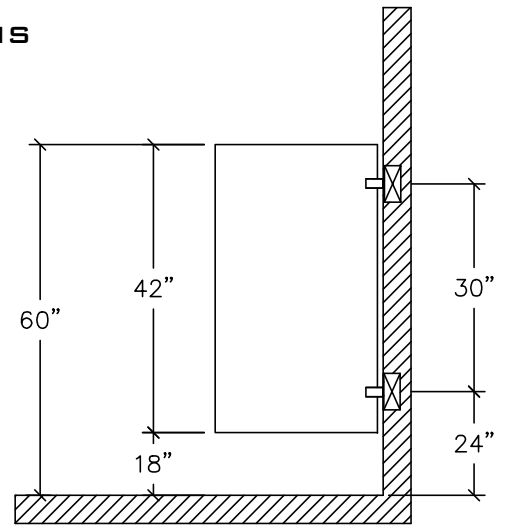
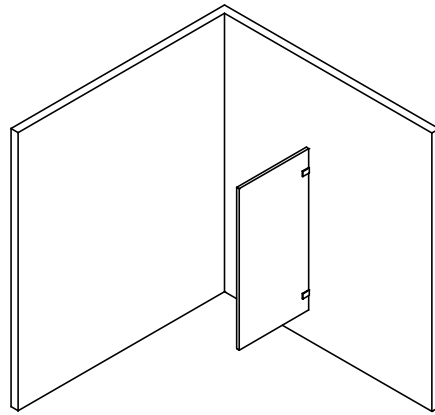
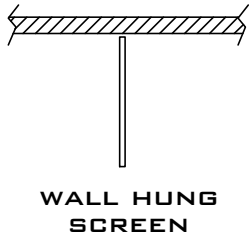


**PHENOLIC  
URINAL AND SIGHT SCREENS  
6.17**

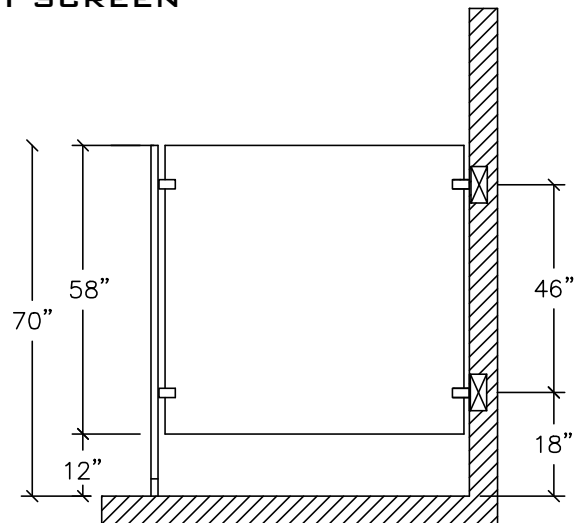
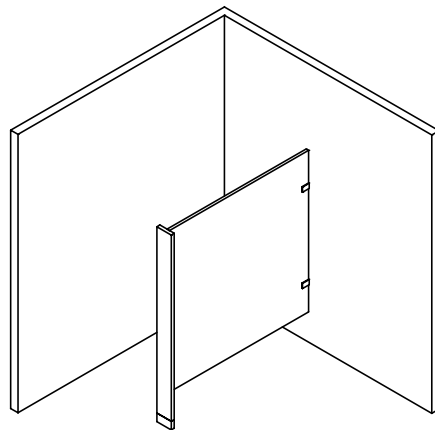
**WALL HUNG URINAL SCREENS**



**SIDE ELEVATION**

**AVAILABLE IN 4 STANDARD SIZES, 12" X 42", 18" X 42", 24" X 42",  
30" X 42"; STAINLESS STEEL STIRRUP BRACKETS,  
CONTINUOUS ALUMINUM OR STAINLESS STEEL BRACKETS**

**FLOOR ANCHORED SIGHT SCREEN**



**SIDE ELEVATION**

**SIGHT SCREENS ABOVE ARE 58" HIGH BY DEPTH REQUIRED  
AVAILABLE WITH STAINLESS STEEL STIRRUP BRACKETS,  
CONTINUOUS ALUMINUM OR STAINLESS STEEL BRACKETS**

 **BLOCKING IN WALL BY OTHERS**

REV 5/13