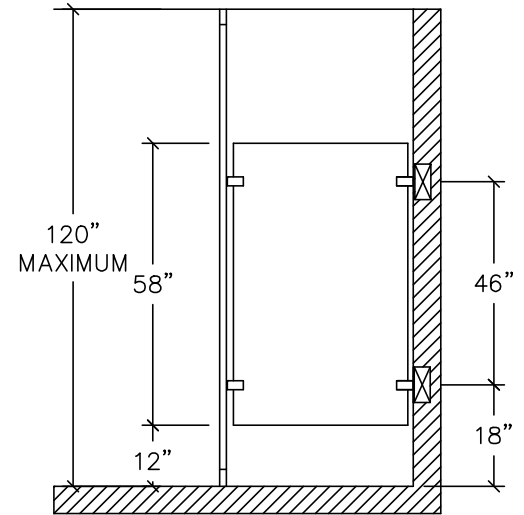
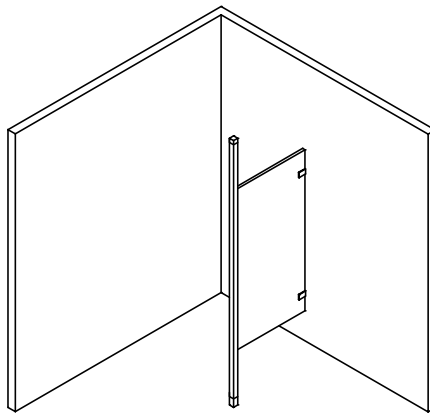
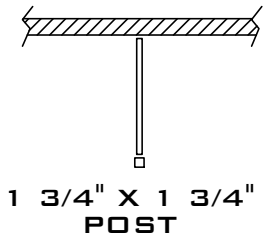


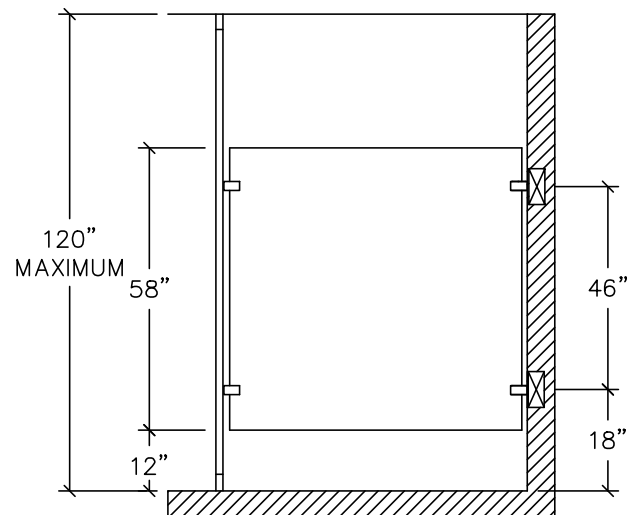
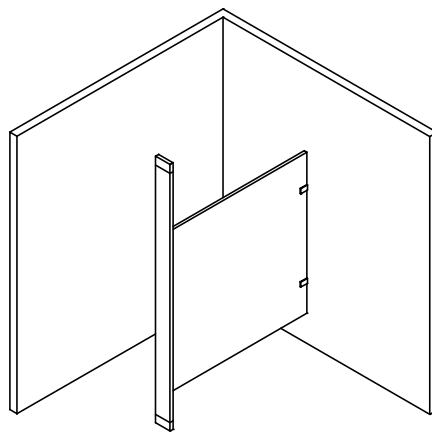
**PHENOLIC
URINAL AND SIGHT SCREENS
6.18**

**FLOOR TO CEILING SCREENS
WITH ALUMINUM 1 3/4" X 1 3/4" POST**



SIDE ELEVATION

**FLOOR TO CEILING SCREENS
WITH PHENOLIC PILASTER**



SIDE ELEVATION

**SIGHT SCREENS ABOVE ARE 58" HIGH BY DEPTH REQUIRED
AVAILABLE WITH STAINLESS STEEL
STIRRUP BRACKETS, CONTINUOUS ALUMINUM OR
STAINLESS STEEL BRACKETS**

BLOCKING IN WALL BY OTHERS

REV 5/13