

## MATERIAL SELECTION AND MEASURING GUIDE

ASI Global Partitions offers the widest range of toilet partitions in the industry so that you can handle virtually any application that comes along. To help you in that process, this reference sheet describes the types of materials available, the hardware needed, and a guide to help you properly measure your toilet compartments.



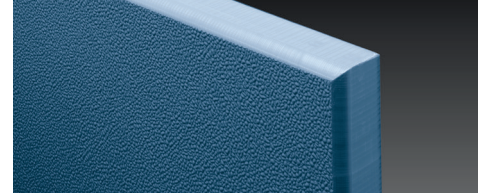
**Powder Coated** steel partitions provide high-tech quality at an economical price. The baked enamel finish is electrostatically applied over galvanized steel. The finish is highly resistant to wear, fading, staining, scratching, and scuffing. It is easily cleaned with mild soap and wiped dry.

Warranty 3 years\*



**Stainless Steel** The elegance of stainless steel complements any design style and wears well. The corrosion resistant benefits of type 304 stainless steel allows for easy maintenance – even scratches can be buffed out. Satin or textured finish. Available in all styles.

Warranty 5 years\*



**Solid Plastic (HDPE)** toilet partitions are the ideal choice for high-traffic areas. HDPE solid plastic is water resistant and unaffected by high humidity or corrosive environments. They never need painting, and will not easily dent or chip. It is the material of choice for low maintenance.

Warranty 25 years\*



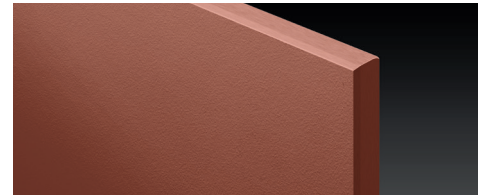
**Plastic Laminate Partitions with Moisture Guard™ Edge Banding** fuses with the substrate creating a seamless beveled profile that eliminates any unsightly black lines that appear in standard Plastic Laminate, and is 3 times more resistant to moisture. Available in 48 colors/patterns.

Warranty 5 years\*



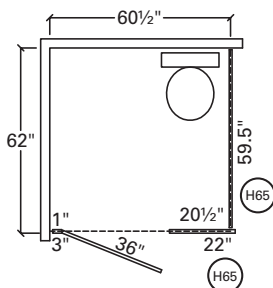
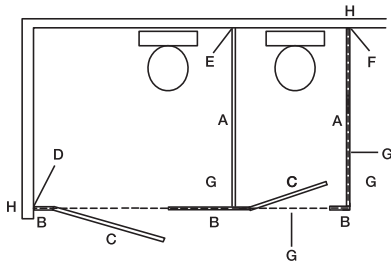
**Phenolic Black Core** partitions hold up even under severe moisture conditions from showers, pools, and saunas, or when maintenance includes hosing down toilet partitions. Ideal for where vandalism is a problem. In a full color spectrum—all with black edges. Available in all styles.

Warranty 25 years\*



**Phenolic Color-Thru™** partitions live up to their name, with surface color through and through. This product is impact, scratch, and graffiti resistant; it also has excellent screw holding power and all the advantages of traditional Phenolic performance.

Warranty 25 years\*



### Partition Component Reference Guide

- A - PANEL** Choose an overall depth and subtract 2.5" to allow for pilaster and hardware gaps.
- B - PILASTERS** Support the panels and are needed to hang and latch doors.
- C - DOORS** 24" are used for compartments 32" to 40" wide; 36" are used for handicap compartments.
- D - ONE EAR PILASTER BRACKET** Required when a pilaster is fastened to a wall or perpendicular to another pilaster.

- E - TWO EAR PANEL BRACKET** or "T" bracket is used on all but the end panel.
- F - ONE EAR PANEL BRACKET** or "F" bracket is generally used on end panels to avoid seeing signs of mounting.
- G - U BRACKET** Perpendicular panel to pilaster mounting
- H - HEADRAIL** Runs across the top of the pilasters above panels and doors.
- I - HEADRAIL RETURN KIT** Fastens headrail to wall and each other.

### ADA-Compliant Minimum Dimensions Typical Hardware Requirements:

- Pilaster-to-wall brackets
- Panel-to-wall brackets
- Panel-to-pilaster brackets
- Door hinge & ADA latch
- Reinforced panel for grab bar attachment
- Coat hook & bumper
- Outswing bumper
- Headrail & mounting bracket

Ⓜ Denotes headrail length in inches

\* See full warranty on website: [asi-globalpartitions.com](http://asi-globalpartitions.com)  
(2-year warranty for non Moisture Guard™ Plastic Laminate).

## MEASURING FOR A TOILET COMPARTMENT LAYOUT

### Getting Started

- The first thing is to sketch out the walls. Wall lines should be indicated using a double line as seen in the drawings below.
- Once the walls have been sketched out, determine the toilet locations (T) and center lines. If this is a replacement order you may skip this step and measure the existing components unless you need to update the layout to meet ADA requirements.
- Now that the toilet locations have been determined, you will be able to sketch out your components.

#### 1 Compartment depth dimension

Measure from the back wall of the compartment to the outside face of the pilaster. Compartments less than 54" will require out-swing doors.

#### 2 Wall-to-panel/panel-to-panel centerline dimension

Handicapped compartments need to be 60" wide x 59" deep clear (inside compartment measurement). The centerline of toilet location in a handicap compartment must be 18" from one side of the compartment. Continue PANEL placement by roughly centering the toilet inside each compartment.

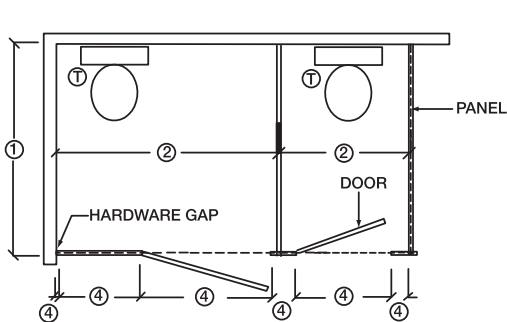
#### 3 Wall-to-wall dimension

When measuring the distance between walls it is important to find the tightest measurement. This includes measuring between half-wall tile, wainscoting and base molding. Hardware brackets can accommodate gaps of 1/2" to 1 1/4". Standard gap at the wall is 1".

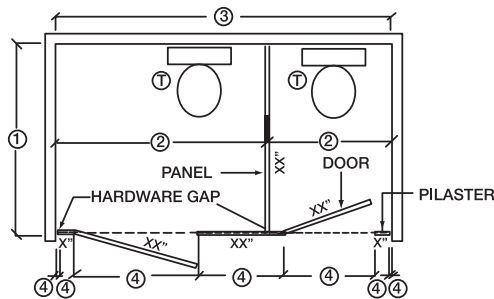
#### 4 Component measurements

Layout begins from the side wall. Start with the first hardware gap (1"), then your first PILASTER. If it is an ADA compartment the door opening must be diagonal from the toilet. Federal law requires a door opening within 4" (3" PILASTER with a 1" gap) off the wall or panel depending upon toilet location. Your next dimension will be DOOR OPENING (PILASTER-TO-PILASTER). If this is a handicap compartment, a 36" door is required. Continue measuring in this fashion, trying to center the door in the standard compartments.

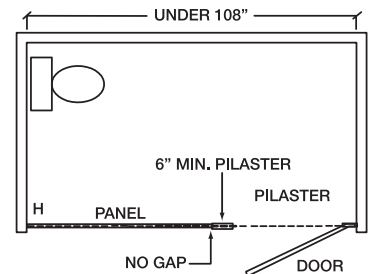
NOTES: Headrail will run across the top of the pilasters above panels and doors. In Corner Layout corner pilaster must be a minimum of 6" wide for anchoring



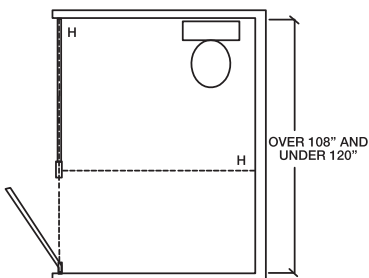
Measuring for an "IN CORNER" Layout



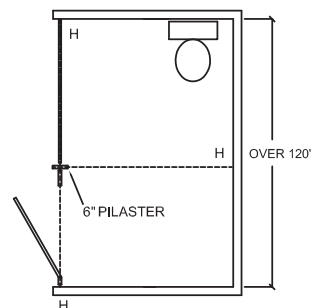
Measuring for a "BETWEEN WALL" Layout



Measuring for a "IN-LINE ALCOVE" Layout



Alcoves over 108" and under 120" can be run straight across but with headrail "kicker" run from the middle pilaster perpendicular to wall.



Alcoves over 120" must be "T"-ed off, meaning that a pilaster must be turned perpendicular to the middle pilaster. It will also require Headrail from perpendicular pilaster to wall.