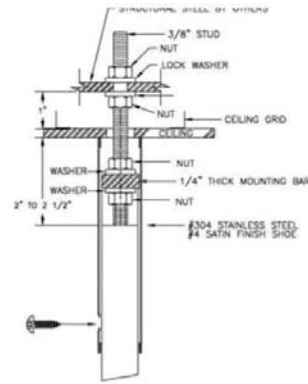
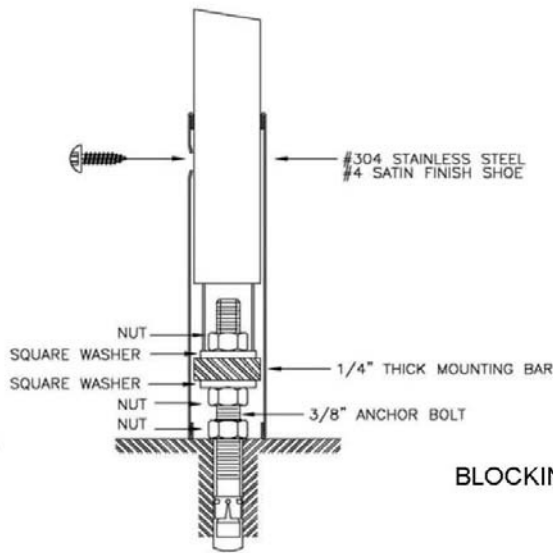
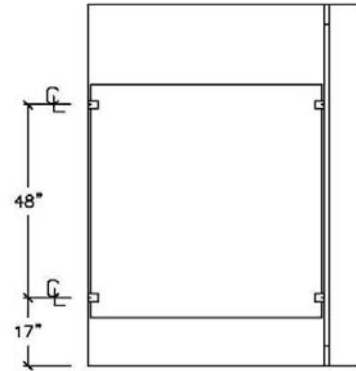
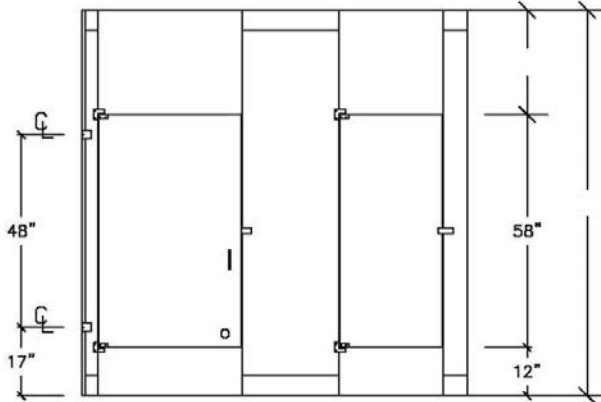


FLOOR AND CEILING ANCHORED

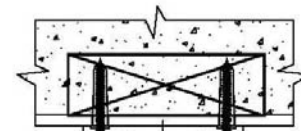
Date Issued 11/17

3.03 WARRANTY

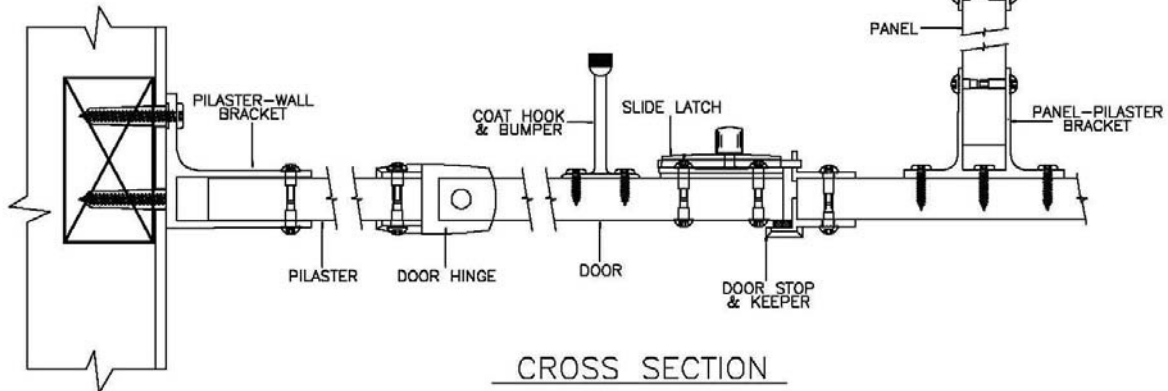
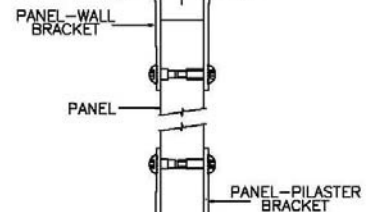
ASI Global Partitions guarantees its phenolic color-thru units, properly maintained, against delamination, breakage or corrosion for 25 years from the date of receipt by the customer. If materials are found defective during that period for the reasons listed above, the material will be replaced free of charge. No credits or allowances will be issued for any labor or expenses relating to the replacement of components covered under the warranty plan. All such expenses are to be borne by the buyer.



BLOCKING BY OTHERS



FLOOR MOUNTING DETAIL



CROSS SECTION